

# Heavy duty multi-purpose tethered drone



System model:T200

## 1. Solution Advantages

1. Long flight hover

The ground continuously provides power to the drone, allowing it to hover in the air 24 hours a day

2. Multiple ways to power supply

380V power supply, generator power supply

3. High security

Mounted under the drone, plug and play, supports hot and cold start, and seamlessly switches the fuselage battery when power is off

## 2. Main features

1. The system only retains the input switch, high voltage switch and cable retracting knob, easy to operate and can be deployed quickly. Users only need to operate the drone, which can greatly improve work efficiency and safety.

2. The product is integrated, has high power density, is miniaturized, lightweight, modularization and intelligently designed, and is easy to carry.

3. The onboard power supply adopts a voltage-stabilizing circuit solution, with wide-range input, constant voltage-stabilizing output, and continuous and stable power supply (the backup battery is only used for safe emergency landing, and can be configured with sufficient safe landing capacity), breaking the flight time limit.

4. The power supply in the base station adopts an isolated circuit design to ensure the safety of high-voltage power transmission.

## 3. System Configuration

1. 50kg net load drone set

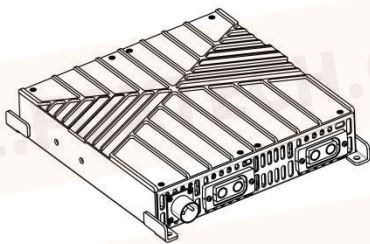
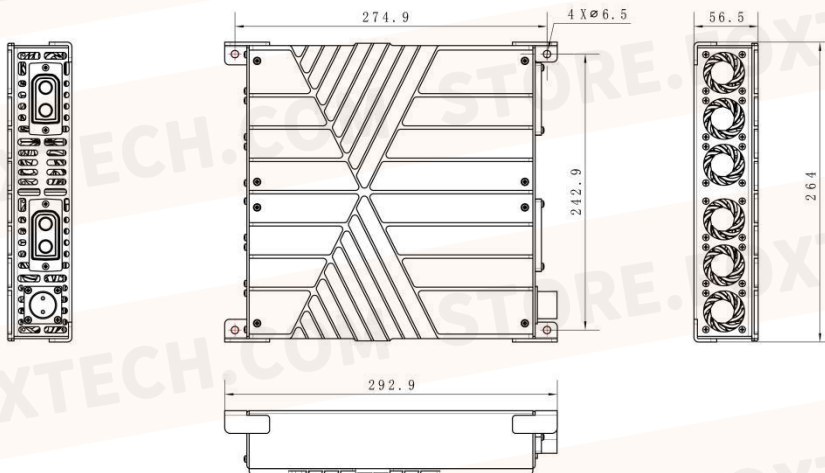
2. 20kw 14S Air power

3. Tethered UAV System Base Station, together with Transportation box

## 4. Specifications

### Tethered system

Onboard power supply size	28.8*26*5.7cm
Weight of onboard power supply	5600g
Rated output power	20KW
Rated output voltage	14S stable
efficiency	96%
Air power	During the flight of the drone, if the ground power supply is abnormally interrupted, the drone can fly and land normally
Power off protection function	abnormally interrupted, the drone can fly and land normally
Output overvoltage protection	110% rated voltage self-recoverable
Output overcurrent protection	340A self-recoverable
Over temperature protection	100°C
Output reverse polarity protection	Terminal foolproof
Output short circuit protection	Yes, self-recovery



STORE.FOXTECH.COM STORE.FOXTECH.COM  
STORE.FOXTECH.COM STORE.FOXTECH.COM  
STORE.FOXTECH.COM STORE.FOXTECH.COM  
STORE.FOXTECH.COM STORE.FOXTECH.COM  
STORE.FOXTECH.COM STORE.FOXTECH.COM  
STORE.FOXTECH.COM STORE.FOXTECH.COM  
STORE.FOXTECH.COM STORE.FOXTECH.COM  
STORE.FOXTECH.COM STORE.FOXTECH.COM  
STORE.FOXTECH.COM STORE.FOXTECH.COM  
STORE.FOXTECH.COM STORE.FOXTECH.COM  
STORE.FOXTECH.COM STORE.FOXTECH.COM

Dimensions 68.6x44.8x49.2cm  
AC380V Power supply.  
Continuous flight time is not less than 24hrs; 1000V DC; 30KW  
Power supply  
Height Max.220m  
Electric-Optical option  
Automatic pay-off and take-up system Automatic cable reeling and unreeling function

- Power on, one-button start, automatic voltage compensation(\*patent)
- The internal menu can display voltage, current, cable length and temperature.(\*Patented, error less than 5%)
- With over-current, over-voltage, short-circuit and over-temperature protection
- With observation window, can be manually closed cable, reeling in without power supply
- Protection level: IP43
- Turbocharged ventilation and cooling

weight 55kgs tethered base station

Tethered Station

Highlights

